



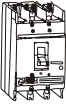
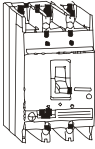
Moulded Case Circuit Breakers

Type DH / DL / DG / DM

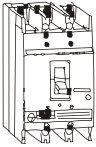
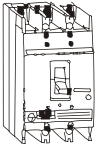

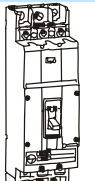
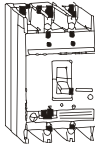
PRODUCT HIGHLIGHTS

- Current Range 0.63 A to 800 A
- 1, 2, 3 and 4 pole version
- Normal, Standard and High breaking capacities upto 65 kA
- All MCCBs are current limiting with very low let through and cut-off
- Operating mechanism is quick make, quick break and trip free. It is independent of manual speed of operations
- The entire current carrying path is designed to ensure very low power loss per pole
- Adjustable overload releases for the entire range
- Suitable for both AC and DC applications
- Terminals suitable for both copper & aluminium terminations.
- “Push to trip” facility to verify healthiness of mechanism.
- Wide range of site fittable accessories.
- New Rotary Operating Mechanisms for DH MCCBs are of adjustable shaft length , to take panel depth variations gives clear ON / OFF / TRIP indication allows use in same quadrant of operation allows keylocking or padlocking in OFF position with door interlock
- No line load bias.
- Housing is made of heat resistant insulating material.
- Contacts are of silver alloy to have high electrical life. The mechanism is so designed that there is no arcing on the current carrying part of the contact. The strong “wipe action” of the contact system keeps the contact surface clean of oxide films.

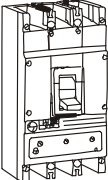
TECHNICAL DATA

Rating		16 A	100 A			
						
Type		DM	DH	DL	DM	
		Motor Duty	Standard Breaking Capacity	High Breaking Capacity	Motor Duty	
Poles		3	3 / 4	3 4	3	
Ratings (A)		0.63,1,1.6,2.5,4,5,6.3,7.5,10,12,16	16,20,25,32,40,50,63,80,100	16,20,25,32,40,50,63,80,100	16,25,30,35,50,60,70,80	
Rated Operational Voltage Ue (V)		415	415	415	415	
Rated Insulation Voltage Ui (V)		690	750	750	750	
Rated Impulse Voltage (kV)		-	8	8	8	
Operating Frequency (Hz)		50 / 60	50 / 60	50 / 60	50 / 60	
Rated S.C. Making Capacity at 415 V Icm (kA)		105	52.5	143	143	
Rated Ultimate S.C. Breaking Capacity Icu (kA)	660 V	10	5	10 10	10	
	550 V	25	12	25 16	25	
	500 V	35	16	35 25	35	
	415 V	50	25	65 50	50	
	380 V	50	25	65 50	50	
	240 V	85	50	85 65	65	
Rated Service S.C. Breaking Capacity at 415 V Ics (kA) as % of Icu		100% (50 kA)	100% (25 kA)	75% (50 kA) 100%	100% (50 kA)	
DC Breaking Capacity (kA) at (L/R <= 15ms)	110 V	-	16	50	-	
	250 V	-	10	25	-	
	with 3 Poles in series	250 V	-	16	40	-
	with midpoint grounded	500 V	-	10	25	-
Capacitor Rating at 415 V, 50 Hz (kVAR)		-	5,8,10,13,15,20,25,25,35	5,8,10,13,15,20,25,25,35,50	-	
Mechanical Life		**	30000	30000	**	
Electrical Life		**	10000	10000	**	
Utilisation Category						
Operating Temperature °C						
Pollution Degree						
Release Type		Magnetic	Thermal - Magnetic	Thermal - Magnetic	Magnetic	
Overload Release Setting		-	80 - 100%	80 - 100%	-	
Short Circuit Release Setting (+/-20%)		12*In	9*In	9*In	12*In	
Terminal Capacity (Cables) mm ²		-	50	50	50	
(Link) mm		10	16	16	16	
Weight (kg)		1	1.7	1.7	1.7	
Dimensions	H	130	157	157	157	
	W	75	90 / 120	90 / 120	90	
	Without Knob	D	105	87	87	
	With Knob	D	124	104	104	

** Data on request

125 A	160 A			200 A	
					
DH	DH	DL	DM	DH	DL
Standard Breaking Capacity	Standard Breaking Capacity	High Breaking Capacity	High Breaking Capacity	Standard Breaking Capacity	High Breaking Capacity
3 / 4	3 / 4	3	3	3	3
16,20,25,32,40,50,63,80,100, 125	160	100,125,160	100,120,160	200	200
415	415	415	415	415	415
750	750	750	750	750	750
8	8	8	8	8	8
50 / 60	50 / 60	50 / 60	50 / 60	50 / 60	50 / 60
73.5	73.5	143	143	73.5	143
10	7	10	10	7	10
18	18	25	25	18	25
35	35	35	35	25	35
35	35	65	50	35	65
35	35	65	50	35	65
60	60	85	65	60	85
100% (35 kA)	75% (27 kA)	75% (50 kA)	100% (50 kA)	50% (18 kA)	100% (50 kA)
16	16	50	-	16	50
10	10	25	-	10	25
16	16	40	-	16	40
10	10	25	-	10	25
5,8,10,13,15,20,25,25,35,50	70	35,50,70	-	50,70,70	80
22000	22000	20000	**	22000	20000
7500	7000	5000	**	7000	5000
Thermal - Magnetic	Thermal - Magnetic	Thermal - Magnetic	Magnetic	Thermal - Magnetic	Thermal - Magnetic
80 - 100%	80 - 100%	70 - 100%	-	80 - 100%	70 - 100%
9*In	8*In	8*In	12*In	6*In	9*In
70	70	95	185	150	185
25	25	36	36	30	36
1.7	1.8	4.8	4.8	2.4	4.6
157	215	338	338	215	338
90 / 120	90 / 120	108	108	90	140
87	87	104.5	104.5	87	104.5
104	104	131.5	131.5	104	131.5

TECHNICAL DATA

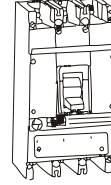
Rating		250 A			
					
Type		DH	DL	DM	
		Standard Breaking Capacity	High Breaking Capacity	Motor Duty	
Poles		3	3	3	
Ratings (A)		200, 250, 320, 400, 500, 630	200, 250	200, 230, 250	
Rated Operational Voltage U _e (V)		415	415	415	
Rated Insulation Voltage U _i (V)		750	750	750	
Rated Impulse Voltage (kV)		8	8	8	
Operating Frequency (Hz)		50/60	50/60	50/60	
Rated S.C. Making Capacity at 415 V I _{cm} (kA)		73.5	143	105	
Rated Ultimate S.C. Breaking Capacity I _{cu} (kA)	660 V	7	10	10	
	550 V	18	25	25	
	500 V	25	35	35	
	415 V	35	65	50	
	380 V	35	65	50	
	240 V	60	85	65	
Rated Service S.C. Breaking Capacity at 415 V I _{cs} (kA) as % of I _{cu}		100% (35 kA)	75% (35 kA)	100% (50 kA)	
DC Breaking Capacity (kA) at	110 V	35	35	-	
(L/R ≤ 15ms)	250 V	25	25	-	
	with 3 Poles in series	250 V	40	40	-
	with midpoint grounded	500 V	25	25	-
Capacitor Rating at 415 V, 50 Hz (kVAR)		80 100	80 100	-	
Mechanical Life		18000	18000	**	
Electrical Life		15000	15000	**	
Utilisation Category					
Operating Temperature °C					
Pollution Degree					
Release Type		Thermal - Magnetic	Thermal - Magnetic	Magnetic	
Overload Release Setting		80 - 100%	80 - 100%	-	
Short Circuit Release Setting (+/-20%)		6*I _n	6*I _n	12*I _n	
Terminal Capacity (Cables) mm ²		300	300	300	
	(Link) mm	40	40	40	
Weight (kg)		5.2	5.2	5.2	
Dimensions	H	266	266	266	
	W	140	140	140	
	Without Knob	D	105	105	
	With Knob	D	137	137	

** Data on request

400 A



630 A



400 A			630 A	
DH	DL	DM	DH	DL
Standard Breaking Capacity	Standard Breaking Capacity	Motor Duty	Standard Breaking Capacity	High Breaking Capacity
3	3	3	3	3
320, 400	320, 400	275, 325, 350, 400	500, 630	500, 630
415	415	415	415	415
750	750	750	750	750
8	8	8	8	8
50/60	50/60	50/60	50/60	50/60
73.5	143	105	73.5	105
7	10	10	7	10
18	25	25	18	25
25	35	35	25	35
35	65	65	35	50
35	65	65	35	50
60	85	85	60	65
100% (35 kA)	75% (50 kA)	75% (50 kA)	100% (35 kA)	100% (50 kA)
35	35	-	35	35
25	25	-	25	25
40	40	-	40	40
25	25	-	25	25
120 160	120 160	-	120 160	120 160
18000	18000	**	15000	15000
12000	12000	**	2500	2500
A				
-5 to +55				
III				
Thermal - Magnetic	Thermal - Magnetic	Magnetic	Thermal - Magnetic	Thermal - Magnetic
80 - 100%	80 - 100%	-	80 - 100%	80 - 100%
6*In	6*In	12*In	6*In	6*In
300	300	300	400	400
40	40	40	40	40
5.2	5.2	5.2	6	6
266	266	266	266	266
140	140	140	140	140
105	105	105	105	105
137	137	137	137	137

ACCESSORIES

INTERNAL ACCESSORIES AUXILIARY CONTACT

The auxiliary contact is used for remote signaling and control purposes. This consists of one or two potential free change over contacts.



AUXILIARY CONTACT



UNDER VOLTAGE
RELEASE

EXTERNAL ACCESSORIES

The Trip alarm contact gives tripping indication once the MCCB trips. The potential free change-over contacts can be used for indication or for control circuit.



SHUNT RELEASE



TRIP ALARM CONTACT



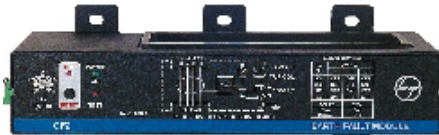
EARTH FAULT MODULE

Earth Fault Modules Type GF1, GF2 and GF11. These modules are to be used with MCCBs for earth fault protection. The principle of operation is based on detection of the residual current in the system. They combine safety and versatility, conforming to the high performance standards, the characteristic of all L&T products.



EARTH FAULT MODULE GF1

GF1 is suitable up to DH / DG / DM / DL 200



EARTH FAULT MODULE GF2

GF2 is suitable for DH / DL / DG / DM from 250 A to 400 A MCCBs



EARTH FAULT MODULE GF11

GF11 is suitable All MCCBs.

FEATURES :

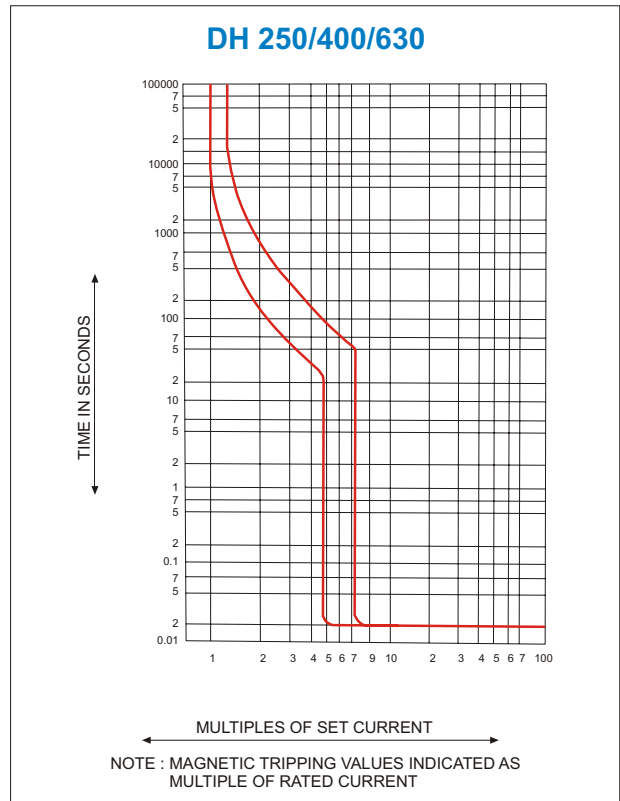
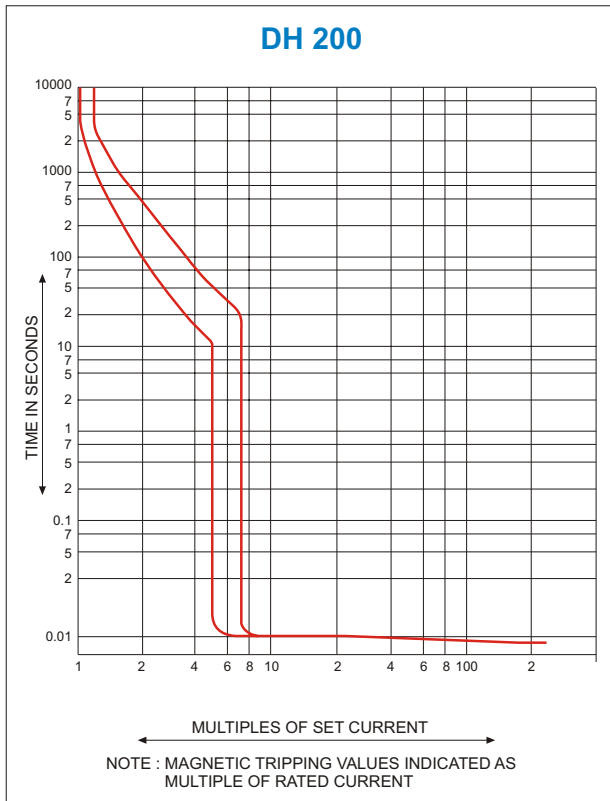
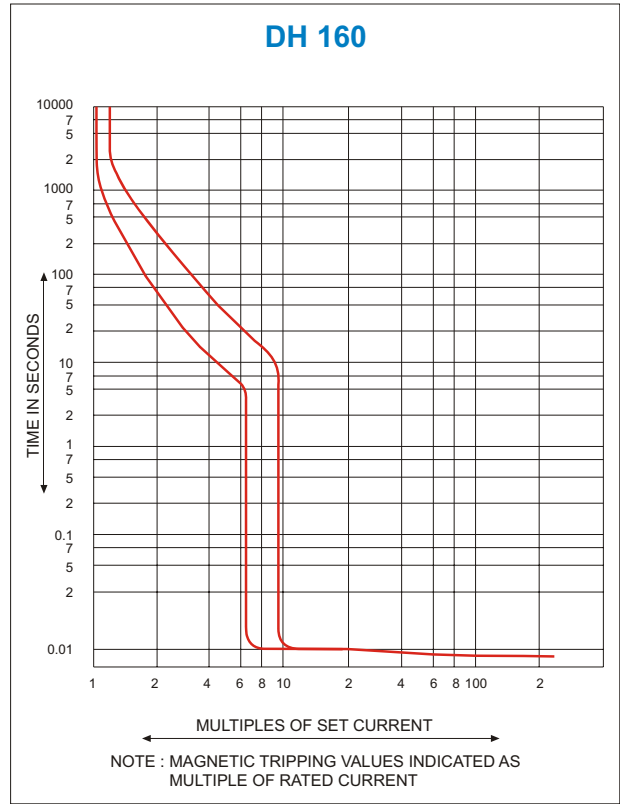
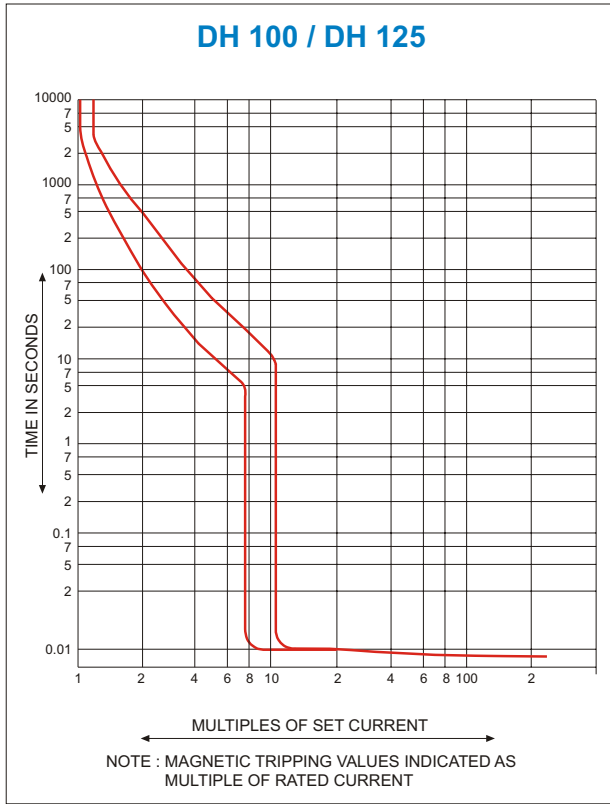
- Compact in size
- Protection against earth faults.
- Solid state design.
- Built-in moulded CBCT for GF1 & GF2. External CTs are to be used for GF11.
- Suitable for both 3 phase 3 wire & 3 Phase 4 wire systems. In case of 3 phase 4 wire system, the natural cable/twisted link should also be passed through the CBCT along with the 3 phase links / cables.
- Built-in test facility.
- Selection facility for nominal current rating (In).
- Earth fault setting is adjustable from 10% to 50% of set current
- Selectable trip times (100 ms, 200 ms).
- Manual reset for positive fault acknowledgment.
- Potential free NO contact to trip MCCB (through 240 V shunt release).
- Window dimensions suitable for Cable / Link connection in GF1 and GF2.

Note: MCCBs need to be fitted with 110 V / 240 V as shunt release for Earth Fault Module operation.

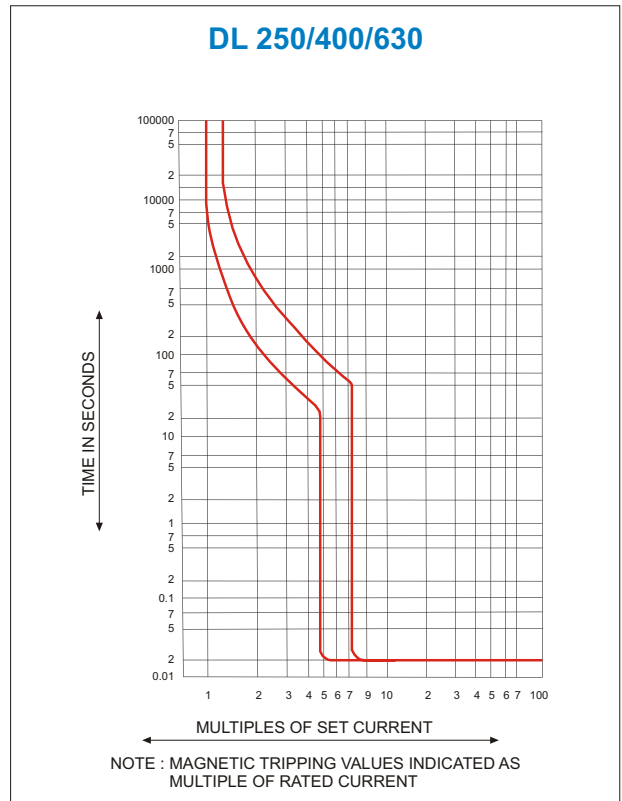
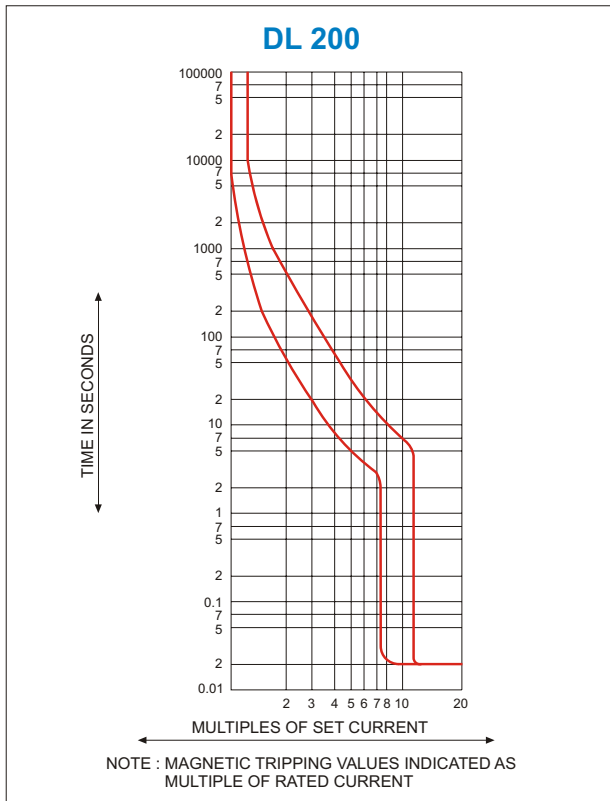
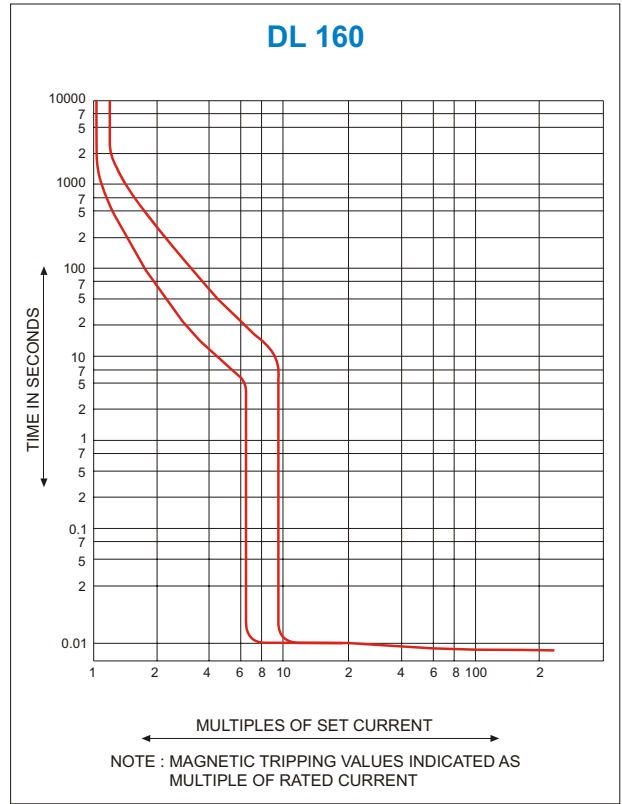
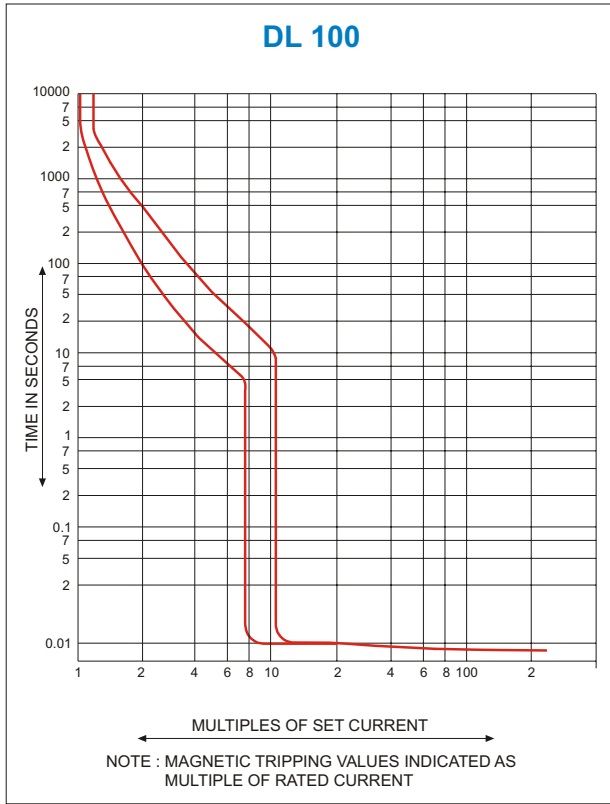
TECHNICAL DATA

SPECIFICATION	TYPE GF1 / GF2 / GF11
1 Current Setting Range (Is)	10% to 50% of nominal current rating (In) Continuously adjustable
2 Auxiliary Supply	240 V AC $\pm 20\%$
3 Time Delay (ms)	100 / 200 ms Field selectable
4 Pick-up Accuracy	$\pm 10\%$ Is
5 Output Contact	1 NO contact manual reset Type contact rating 5 A 240 V AC
6 Indication	a) Power On LED b) Trip LED (manual reset)
7 Operating Temperature	+10°C to +55°C
8 Insulation	2 kV 50 Hz for one minute across independent circuit 1 kV 50 Hz for one minute across open contacts
9 Mounting	Baseplate mounting type
10 Window for Cable / Busbar entry (mm)	GF1 - 110 x 32 GF2 - 165 x 61.5
11 Weight (kg)	GF1 - 1.2 GF - 2.2 GF11 - 0.9

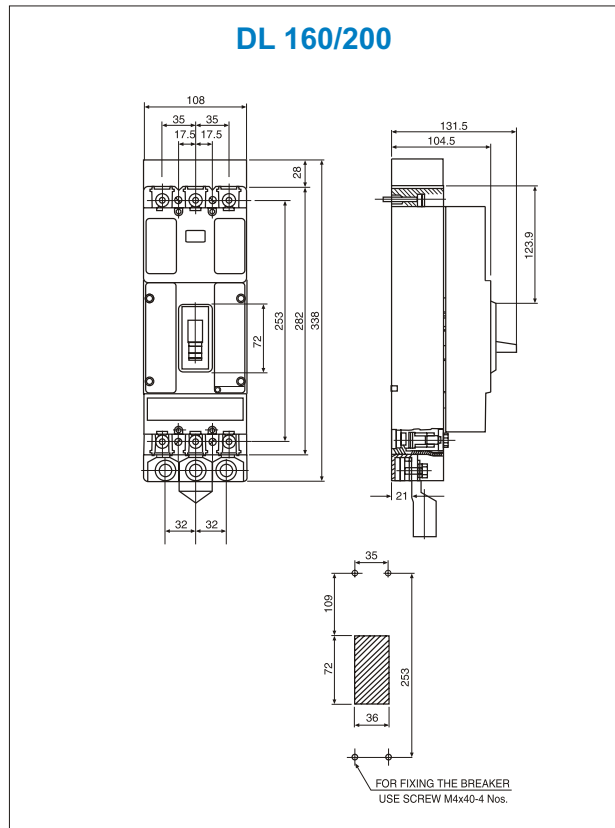
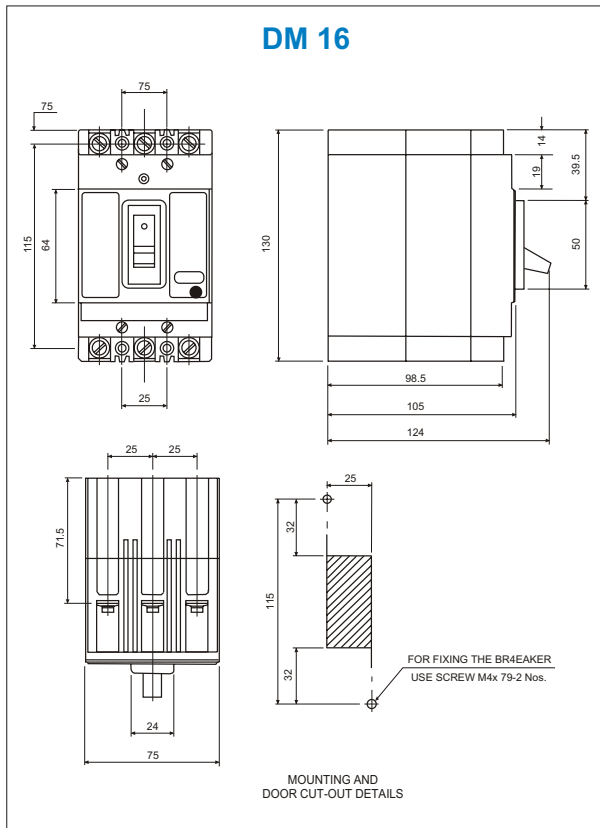
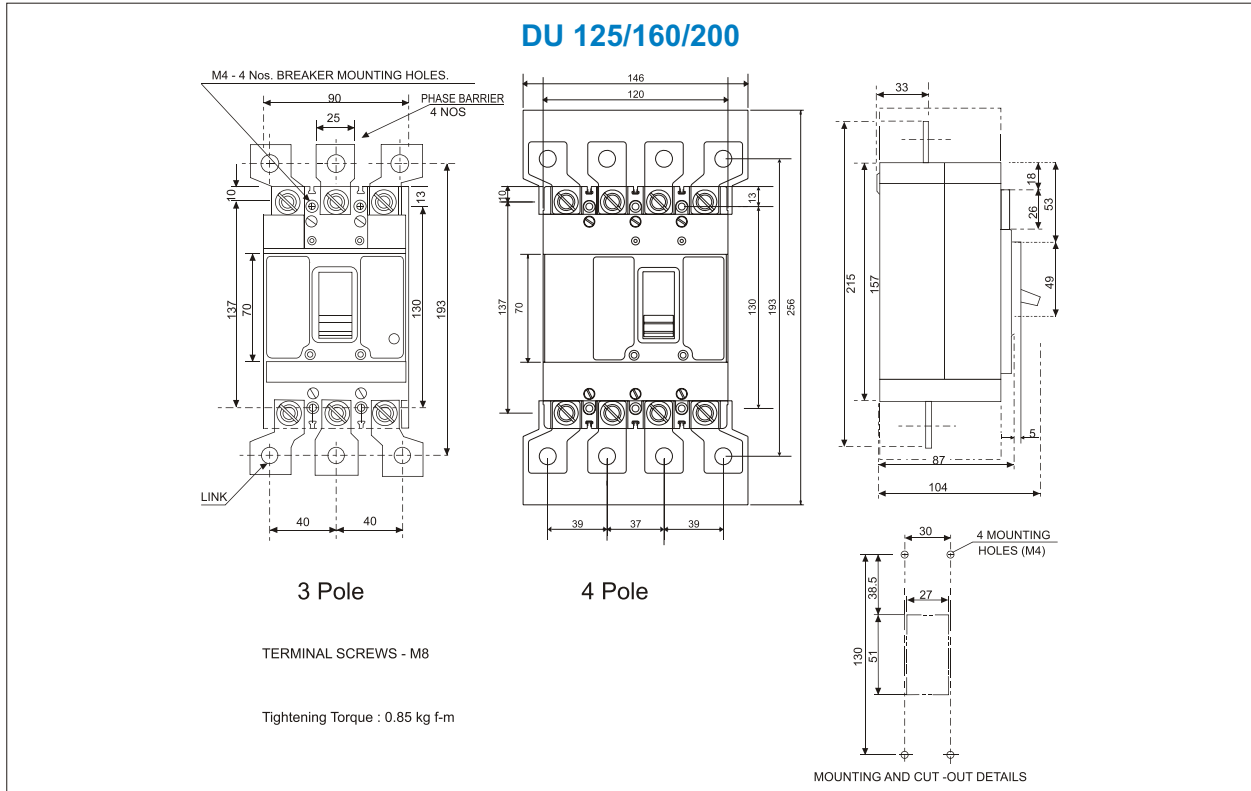
CHARACTERISTIC CURVES TYPE DH



CHARACTERISTIC CURVES TYPE DL



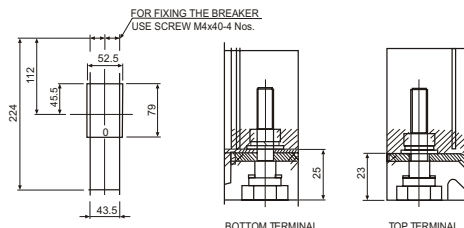
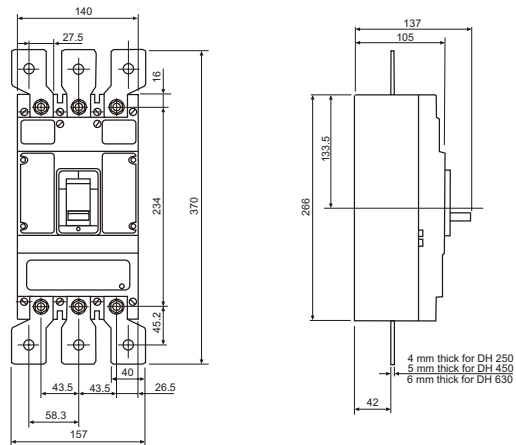
OVERALL DIMENSIONS



ALL DIMENSIONS ARE IN mm

OVERALL DIMENSIONS

DH / DG / DL / DM 250/400/630

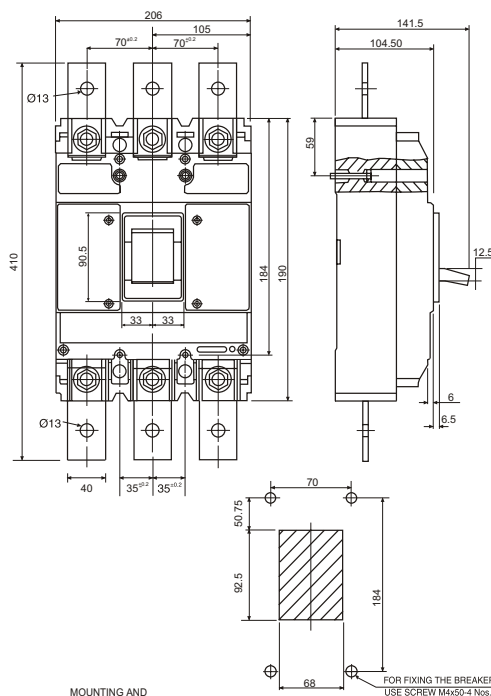


MOUNTING AND DOOR CUT-OUT DETAILS

BOTTOM TERMINAL

TOP TERMINAL

DTH 800

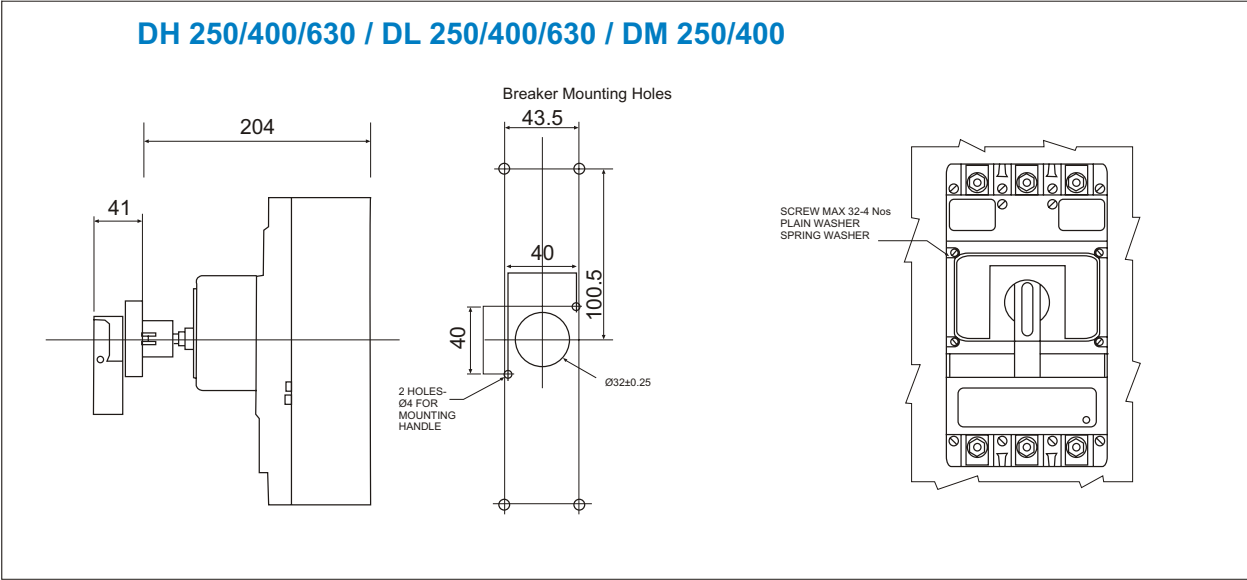
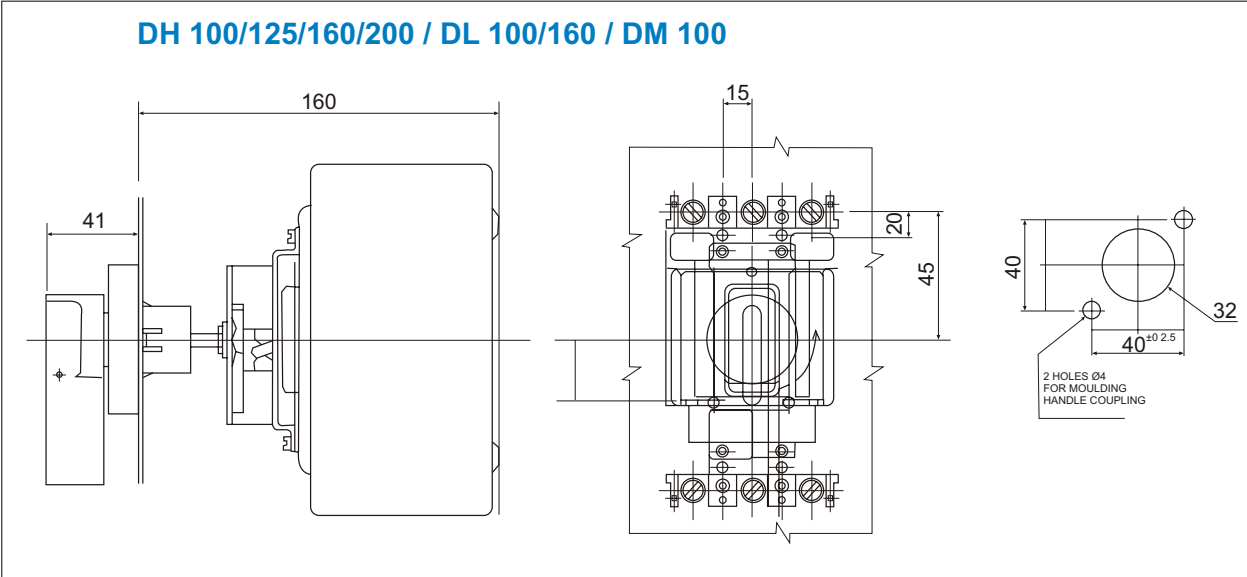


MOUNTING AND DOOR CUT-OUT DETAILS

FOR FIXING THE BREAKER, USE SCREW M4x50-4 Nos.

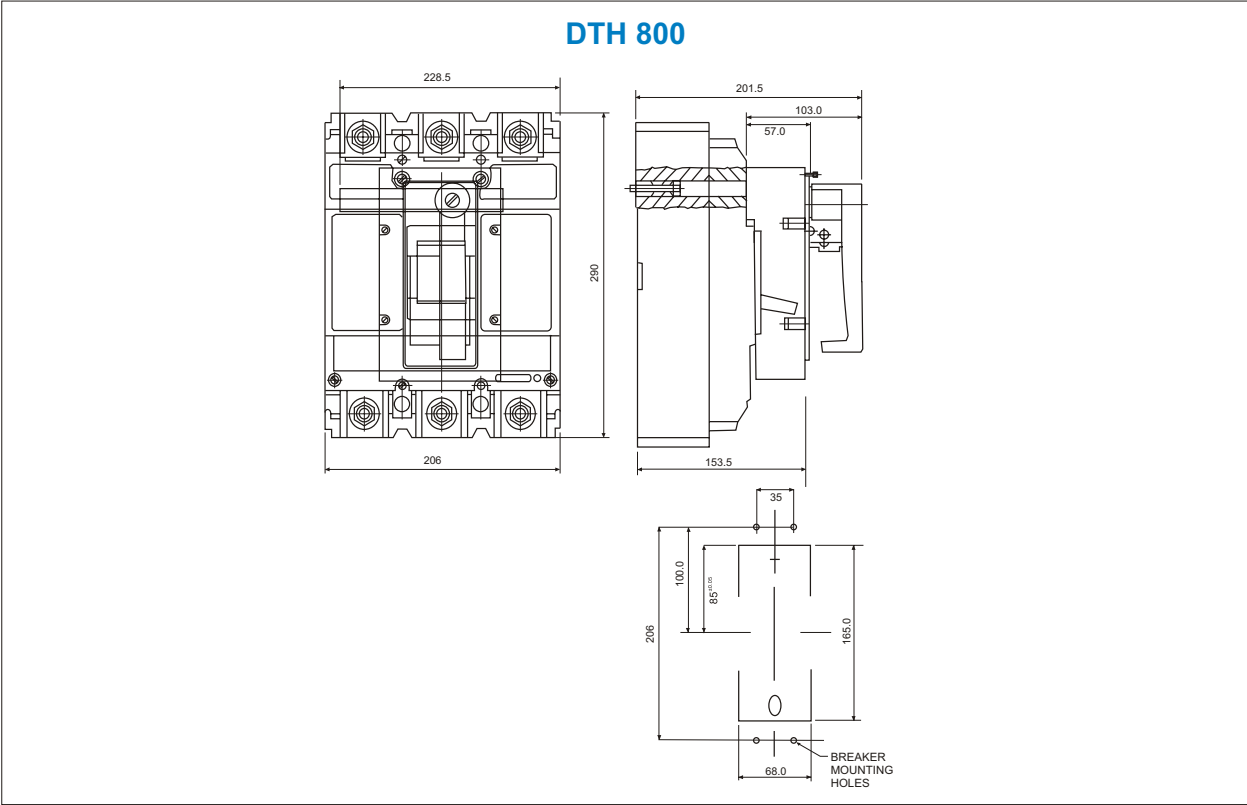
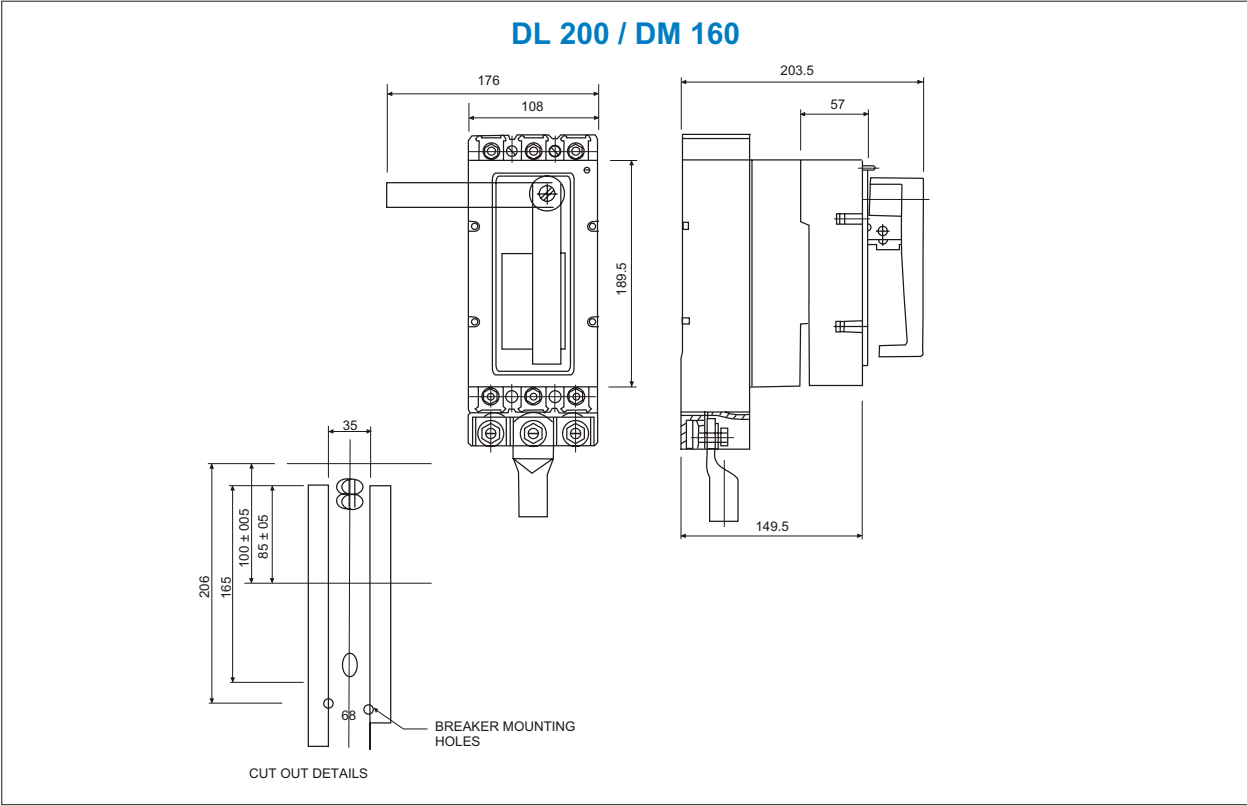
ALL DIMENSIONS ARE IN mm

DIMENSIONAL DETAILS OF ROTARY OPERATING MECHANISM TYPE DH



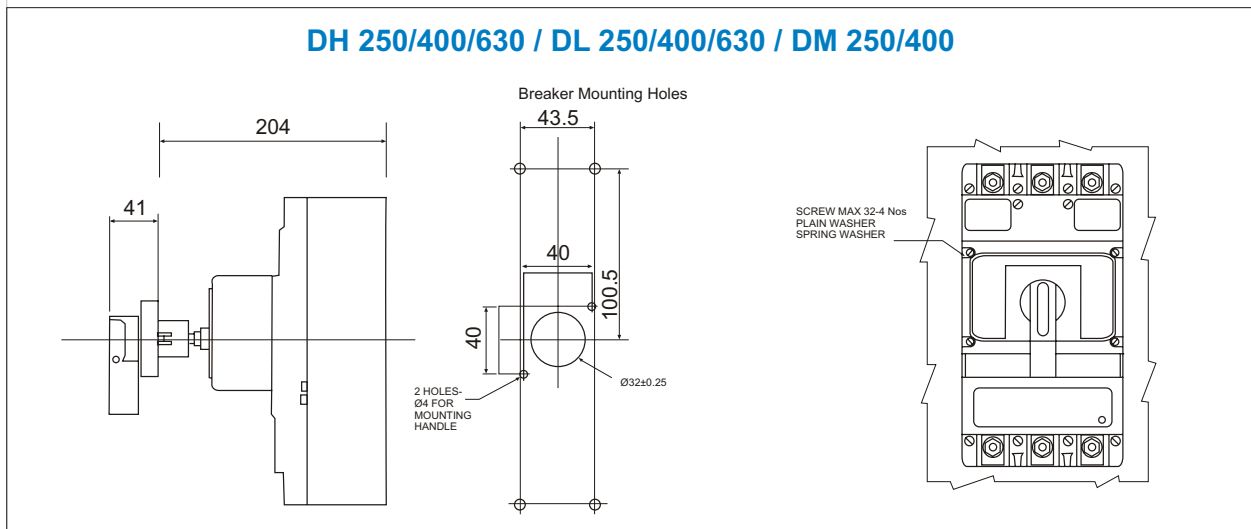
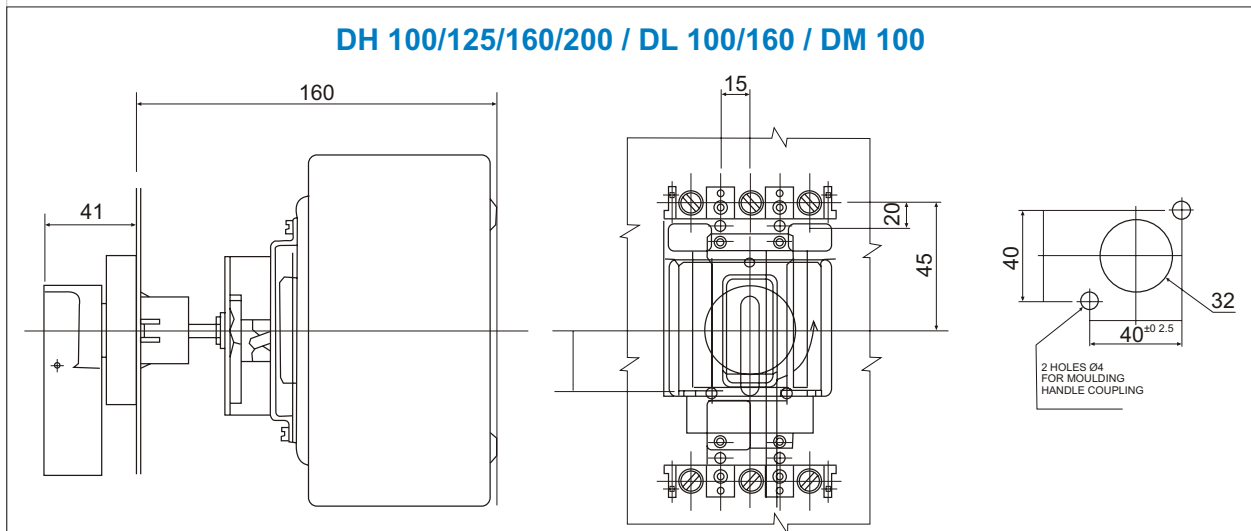
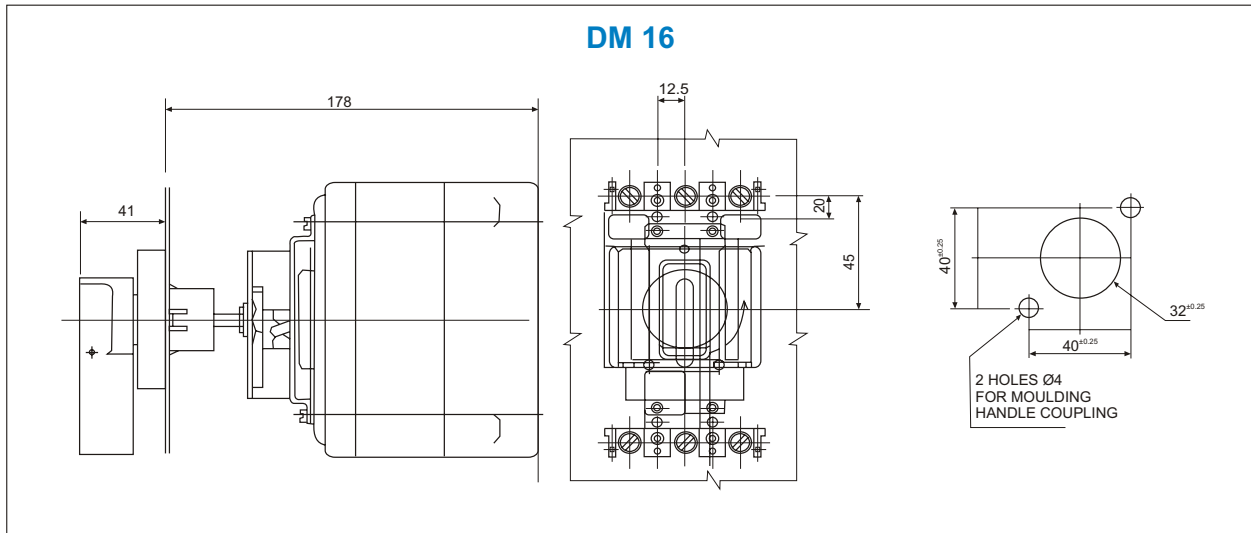
ALL DIMENSIONS ARE IN mm

DIMENSIONAL DETAILS OF ROTARY OPERATING MECHANISM TYPE DL



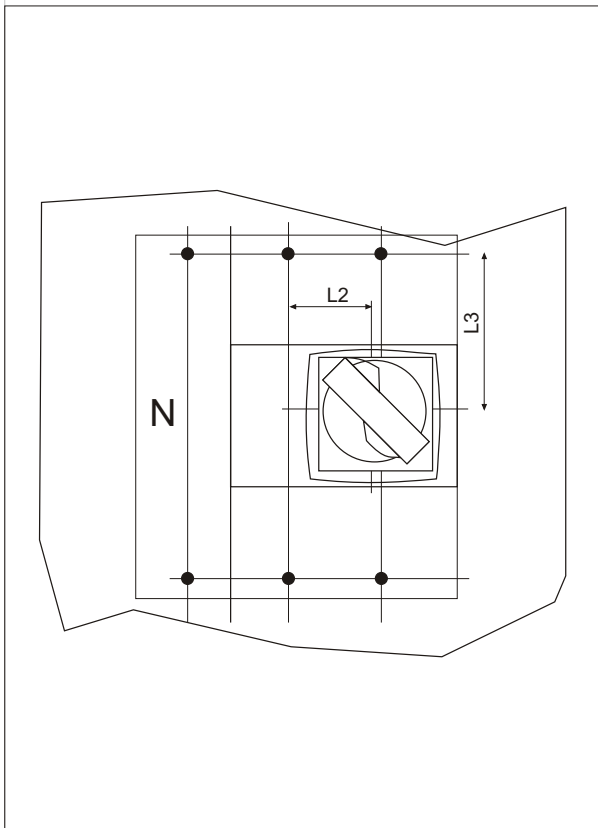
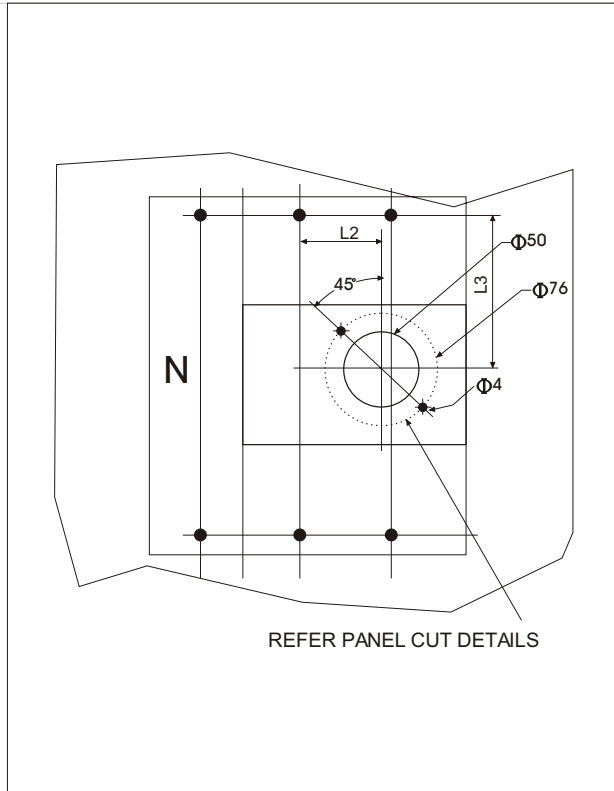
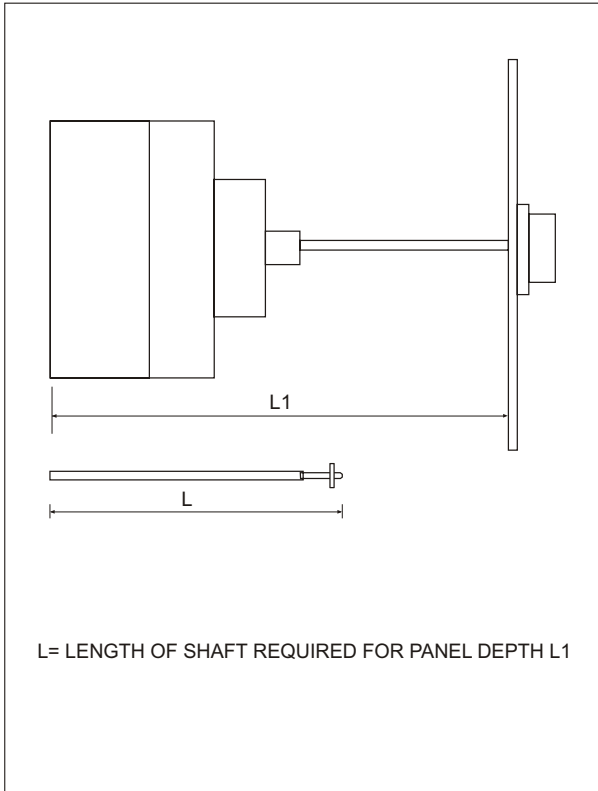
ALL DIMENSIONS ARE IN mm

DIMENSIONAL DETAILS OF ROTARY OPERATING MECHANISM



ALL DIMENSIONS ARE IN mm

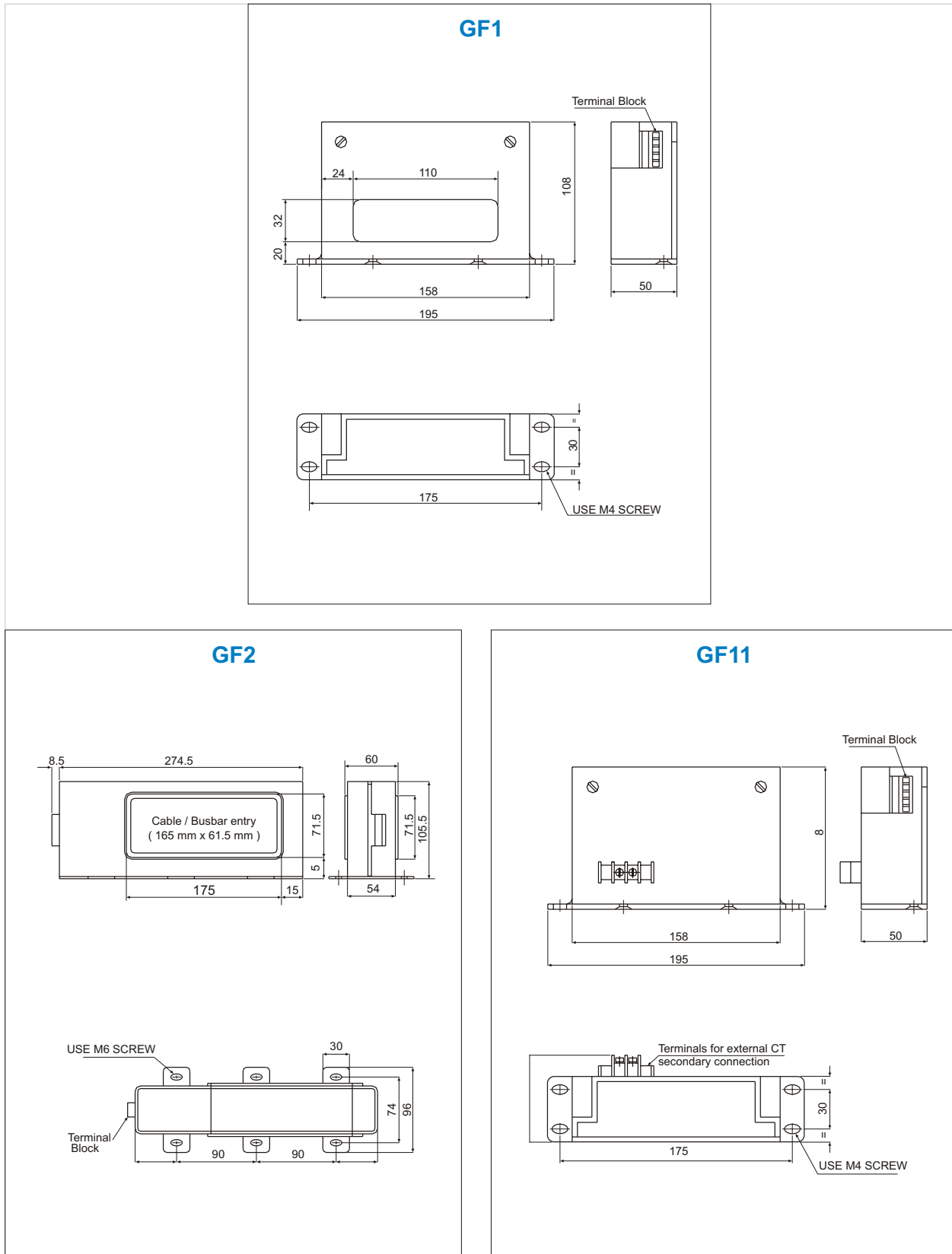
MOUNTING DIMENSIONS OF NEW EXTENDED ROM



Cat. No.	L1 Min.	L1 Max.	L	L2	L3
CM991030000	178	377	L1-127	22	62
CM991010000 CM99101000A	203	401.5	L1-152	27.5	84
CM991020000	227	425.5	L1-176	38.75	121.7

ALL DIMENSIONS ARE IN mm

DIMENSIONAL DETAILS FOR EARTH FAULT MODULES



ALL DIMENSIONS ARE IN mm

FUSELESS MOTOR PROTECTION SYSTEM

SELECTION CHART : FUSELESS PROTECTION FOR DOL STARTER FEEDERS WITH MCCBs, type 'DM' TYPE '2' Co-ordination, Iq=50 kA at 415V, 3Ø, 50 Hz. as per Standards : IEC 60947-4-1, IS 13947 (Part 4/Sec 1), EN 60947-4-1								
Sr. No.	HP	KW	FLC (A)	RELAY		CONTRACTOR	MCCB	
				TYPE	RANGE (A)		TYPE	RATING
1	0.125	0.09	0.4	MNX-R3	0.3 - 0.5	MNX 9	DM 16	0.63
2	0.16	0.12	0.45	MNX-R3	0.45 - 0.75	MNX 9	DM 16	0.63
3	0.2	0.15	0.57	MNX-R3	0.45 - 0.75	MNX 9	DM 16	1
4	0.25	0.19	0.75	MNX-R3	0.6 - 1	MNX 9	DM 16	1
5	0.33	0.25	0.9	MNX-R3	0.6 - 1	MNX 9	DM 16	1
6	0.5	0.37	1.2	MNX-R3	0.9 - 1.5	MNX 9	DM 16	1.6
7	0.75	0.55	1.6	MNX-R3	1.4 - 2.3	MNX 9	DM 16	1.6
8	1	0.75	2.1	MNX-R3	1.4 - 2.3	MNX 9	DM 16	2.5
9	1.5	1.1	2.7	MNX-R3	2.0 - 3.3	MNX 9	DM 16	2.5
10	1.75	1.3	3	MNX-R3	2.0 - 3.3	MNX 9	DM 16	4
11	2	1.5	3.8	MNX-R3	3.0 - 5.0	MNX 9	DM 16	4
12	2.5	1.8	4.8	MNX-R3	4.5 - 7.5	MNX 9	DM 16	5
13	3	2.25	5	MNX-R3	4.5 - 7.5	MNX 9	DM 16	5
14	4	3	6.4	MNX-R3	4.5 - 7.5	MNX 9	DM 16	7.5
15	5	3.7	7.9	MNX-R3	6 - 10	MNX 9	DM 16	7.5
16	6	4.5	9	MNX-R4	9 - 15	MNX 32	DM 16	10
17	7.5	5.5	11.4	MNX-R4	9 - 15	MNX 32	DM 16	12
18	10	7.5	15.4	MNX-R4	14 - 23	MNX 80	DM 16	16
19	12.5	9.3	19.5	MNX-R4	14 - 23	MNX 80	DM 100	25
20	15	11	23	MNX-R4	20 - 33	MNX 80	DM 100	25
21	17.5	13	24	MNX-R4	20 - 33	MNX 80	DM 100	30
22	20	15	29	MNX-R4	20 - 33	MNX 80	DM 100	35
23	25	18.6	38.5	MNX-R4	30 - 50	MNX 80	DM 100	50
24	30	22.5	43	MNX-R4	30 - 50	MNX 80	DM 100	50
25	35	26	47	MNX-R4	45 - 75	MNX 80	DM 100	60
26	40	30	59	MNX-R4	45 - 75	MNX 80	DM 100	70
27	45	33.5	60	MNX-R4	45 - 75	MNX 80	DM 100	70
28	50	37	69	MNX-R4	45 - 75	MNX 80	DM 100	80
29	60	45	80	MNX-R4	66 - 110	MNX 95	DM 160	100
30	75	55	100	MNX-R4	66 - 110	MNX 110	DM 160	120
31	90	67.5	120	MNX-R5	90 - 150	MNX 140	DM 160	160
32	100	75	135	MNX-R5	90 - 150	MNX 140	DM 160	160
33	110	80	139	MNX-R5	90 - 150	MNX 185	DM 250	200
34	125	90	165	MNX-R5	135 - 225	MNX 225	DM 250	200
35	150	110	200	MNX-R5	135 - 225	MNX 265	DM 400	275
36	175	130	230	MNX-R5	180 - 300	MNX 265	DM 400	325
37	197	147	260	MNX-R5	180 - 300	MNX 265	DM 400	325
38	200	150	275	MNX-R5	180 - 300	MNX 325	DM 400	325
39	215	160	280	MNX-R5	180 - 300	MNX 325	DM 400	350
40	225	168	300	MNX-R5	270 - 450	MNX 325	DM 400	350
41	245	180	320	MNX-R5	270 - 450	MNX 325	DM 400	400
42	270	200	340	MNX-R5	270 - 450	MNX 400	DM 400	400

SELECTION CHART : FUSELESS PROTECTION FOR STAR-DELTA STARTER FEEDERS WITH MCCBs, type 'DM' TYPE '2' Co-ordination, Iq=50 kA at 415 V, 3Ø, 50 Hz. as per Standards : IEC 60947-4-1, IS 13947 (Part 4/Sec 1), EN 60947-4-1											
MOTOR				MCCB			CONTACTOR			RELAY	
hp	kW	I line (A)	I phase (A)	Rating (In) (A)	Type	I mag (A)	Star	Delta	Main	Range (A)	Type
12.5	9.3	19.5	11.3	30	DM 100	360	MNX 80	MNX 80	MNX 80	9 - 15	MNX-R4
15	11	23	13.3	35	DM 100	420	MNX 80	MNX 80	MNX 80	9 - 15	MNX-R4
20	15	29	16.7	50	DM 100	600	MNX 80	MNX 80	MNX 80	14 - 23	MNX-R4
25	18.6	38.5	22.2	50	DM 100	600	MNX 80	MNX 80	MNX 80	14 - 23	MNX-R4
30	22.5	43	24.8	60	DM 100	720	MNX 80	MNX 80	MNX 80	20 - 33	MNX-R4
40	30	59	34.1	100	DM 160	1200	MNX 95	MNX 95	MNX 95	30 - 50	MNX-R4
50	37	69	39.8	100	DM 160	1200	MNX 95	MNX 95	MNX 95	30 - 50	MNX-R4
75	55	100	57.7	160	DM 160	1920	MNX 95	MNX 95	MNX 95	45 - 75	MNX-R4
100	75	135	78	200	DM 250	2400	MNX 140	MNX 140	MNX 140	60 - 100	MNX-R5
125	90	165	95.3	250	DM 250	3000	MNX 140	MNX 140	MNX 140	90 - 150	MNX-R5
150	110	200	115.5	325	DM 400	3900	MNX 225	MNX 225	MNX 225	90 - 150	MNX-R5
175	125	230	133	325	DM 400	3900	MNX 225	MNX 225	MNX 225	90 - 150	MNX-R5
200	150	275	159	400	DM 400	4800	MNX 265	MNX 265	MNX 265	135 - 225	MNX-R5

NOTES 1) Selection chart is for standard 3 Phases, Squirrel Cage Motor with average power factor and efficiency. 2) Motor ratings at 415 V, 50 Hz. 3) Open Transition is assumed for change over from star to Delta mode. 4) Contractor ratings indicated are the minimum rating suitable for the application, higher size rating can be used. 5) Normal motor starting time (<= 15 sec.) is assumed. For higher starting time refer back to L&T.

For selection and product demonstration, please contact any of our branch offices listed below:

REGISTERED OFFICE AND HEAD OFFICE

L&T House, Ballard Estate
P. O. Box 278
Mumbai 400 001
Tel: 022-67525656
Fax: 022-67525858
Website: www.Larsentoubro.com

ELECTRICAL STANDARD PRODUCTS (ESP)

501, Sakar Complex
Opp. Gandhigram Rly. Station
Ashram Road
Ahmedabad 380 009
Tel: 079-66304007-11, 55304000/1
Fax: 079-26580491
e-mail: esp-ahm@Lntebg.com

38, Cubbon Road, Post Box 5098
Bangalore 560 001
Tel: 080-25020100 / 25583613
Fax: 080-25580525
e-mail: esp-blr@Lntebg.com

131/1, Zone II
Maharana Pratap Nagar
Bhopal 462 011
Tel: 0755-6454906 / 7 / 8 / 9
Fax: 0755-2769264
e-mail: esp-bho@Lntebg.com

Plot No. 559, Annapurna Complex
Lewis Road
Bhubaneswar 751 014
Tel: 0674-2537301, 2436696
Fax: 0674-2537309
e-mail: esp-bbi@Lntebg.com

SCO 32, Sector 26-D
Madhya Marg, P. O. Box 14
Chandigarh 160 026
Tel: 0172-4646841 / 2 / 3 / 4 / 5 / 6 / 7
Fax: 0172-4646802
e-mail: esp-chd@Lntebg.com

10, Club House Road
Chennai 600 002
Tel: 044-28462072 / 4
Fax: 044-28462102
e-mail: esp-maa@Lntebg.com

67, Appuswamy Road
Post Bag 7156
Opp. Nirmala College
Coimbatore 641 045
Tel: 0422-2588120, 2588121 / 3
Fax: 0422-2588148,
e-mail: esp-cbe@Lntebg.com

L&T House
Group MIG - 5
Padmanabhpur
Durg 491 001
Tel: 0788-2213833 / 14 / 28 / 29
Fax: 0788-2213820

A1/11, Astronauts Avenue
Bidhan Nagar
Durgapur 713 212
Tel: 0343-2536493 / 39
Fax: 0343-2536493
e-mail: esp-dgp@Lntebg.com

(Faridabad Switchgear Works)
12/4, Delhi-Mathura Road
Faridabad 121 003
Tel: 0129-2565147 / 8
Fax: 0129-2275405
e-mail: esp-fbd@Lntebg.com

Milanpur Road, Bamuni Maidan
Guwahati 781 021
Tel: 0361-2550565
Fax: 0361-2551308
e-mail: esp-gau@Lntebg.com

5-10-173, Fateh Maidan Road
P. O. Box 12
Hyderabad 500 004
Tel: 040-66720251
Fax: 040-23242356
e-mail: esp-hyd@Lntebg.com

D-24, Prithvi Raj Road
C-Scheme
Jaipur 302 001
Tel: 0141-2377374 / 2361064
Fax: 0141-2373280
e-mail: esp-jai@Lntebg.com

Akashdeep Plaza, 2nd Floor
P. O. Golmuri
Jamshedpur 831 003
Jharkhand
Tel: 0657-2340864, 2340308
Fax: 0657-2341250
e-mail: esp-jam@Lntebg.com

Skybright Bldg.
M. G. Road
Ravipuram Junction
Ernakulam
Kochi 682 016
Tel: 0484-4409422 / 23 / 24 / 25 / 26 / 27
Fax: 0484-4409430
e-mail: esp-cok@Lntebg.com

3-B, Shakespeare Sarani
Kolkata 700 071
Tel: 033-44002301 / 2 / 3 / 4 / 5, 44002572
Fax: 033-22821025
e-mail: esp-ccu@Lntebg.com

A28, Indira Nagar
Faizabad Road
Lucknow 226 016
Uttar Pradesh
Tel: 0522-4040905 / 903 / 904
Fax: 0522-2311671
e-mail: esp-Lko@Lntebg.com

Plot No. 518
4th Main Road
K. K. Nagar
Madurai 625 020
Tel: 0452-2537404 / 303
Fax: 0452-2537552
e-mail: esp-mdu@Lntebg.com

North Wing, Level II,
Gate 7, Powai
Mumbai 400 072
Tel: 022-67050505
Fax: 022-67051112
e-mail: esp-bom@Lntebg.com

8B, Farmland, Ramdaspath
Behind Hotel Radhika
Nagpur 440 010
Tel: 0712-2420641 / 24
Fax: 0712-2420619
e-mail: esp-ngp@Lntebg.com

32, Shivaji Marg, P.O. Box 6223
New Delhi 110 015
Tel: 011-51419500 / 1, 51419515
Fax: 011-51419600
e-mail: esp-del@Lntebg.com

L&T House, P.O. Box 119
191/1, Dhole Patil Road
Pune 411 001
Tel: 020-66033395 / 88 / 89
Fax: 020-26129586
e-mail: esp-pnq@Lntebg.com

3rd Floor, Vishwakarma Chambers
Majura Gate, Ring Road
Surat 395 002
Tel: 0261-2473726
Fax: 0261-2477078
e-mail: esp-sur@Lntebg.com

Radhadaya Complex
Old Padra Road
Near Charotar Society
Vadodara 390 015
Tel: 0265-6613611
Fax: 0265-2336184
e-mail: esp-bar@Lntebg.com

48-8-16, Dwarakanagar
Visakhapatnam 530 016
Tel: 0891-2755493, 2704928
Fax: 0891-2746075
e-mail: esp-viz@Lntebg.com

Product improvement is a continuous process. For the latest information and special applications, please contact any of our offices listed here.



Electrical Standard Products
Larsen & Toubro Limited
Powai Campus, Mumbai 400 072
Tel: 022-6705 0505
Fax: 022-67051324 / 1746
E-mail: esp@LNTEBG.com
Website: www.LNTEBG.com



LARSEN & TOUBRO LIMITED

It's all about Imagineering